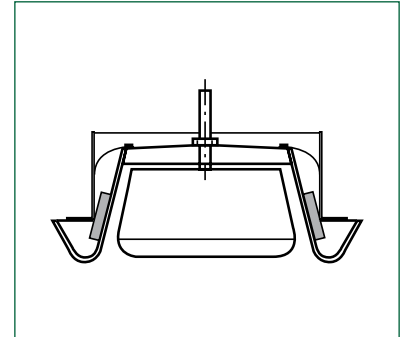
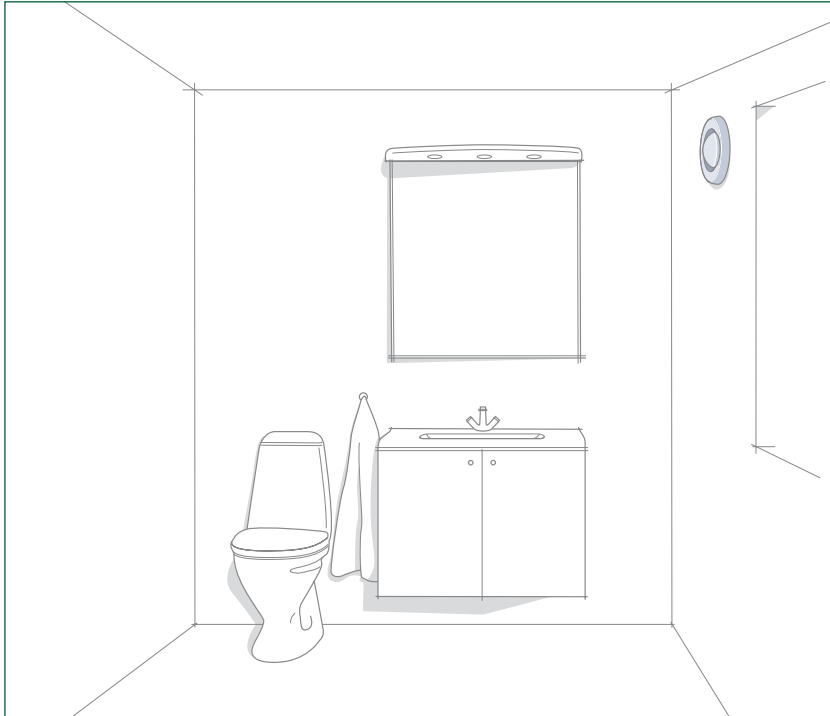


## VEF and VEF-S Exhaust Valve



VEF exhaust air valve is a circular disc valve with a valve cone of aero-dynamic design. VEF-S is an exhaust air valve with integrated mounting ring. Valve is always supplied with a clamping ring which makes it suitable also for false ceilings. Correct height of the mounting ring makes it easy to connect a flexible hose.

### Quick selection

Size	Air flow l/s (m <sup>3</sup> /h) at sound level		
	25 dB	30 dB	35 dB
VEF-08	13	15 (54)	18
VEF-10	25	29 (104)	34
VEF-12	33	40 (144)	50
VEF-15	46	56 (202)	66
VEF-16	50	60 (216)	70
VEF-20	55	65 (234)	78

### Product facts

#### VEF Exhaust Valve

Excellent characteristics with regard to noise level, pressure drop and air flow capacity.

Designed for wall- or ceiling mounting.

Available in six sizes.

Manufactured of polypropylene plastic.

### Product facts

#### VEF-S Exhaust Valve

Good technical performance.

Available in five sizes.

Airtight connection.

Simple installation and removal.

Manufactured from recyclable plastic.

Mounting ring adapted for false ceiling panels.

Easy to connect to a flexible hose.

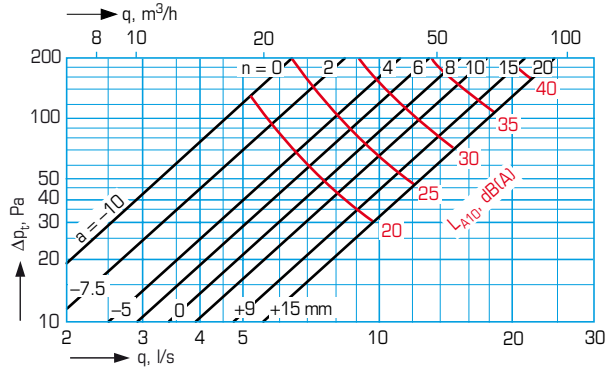
### Product code example

Exhaust valve VEF-10

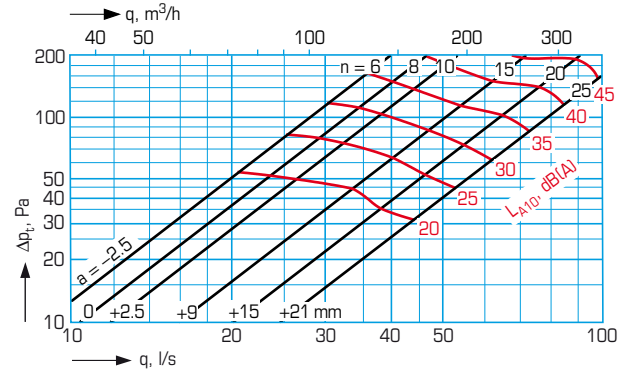
Exhaust valve VEF-12-S

# Air flow, pressure drop, sound level

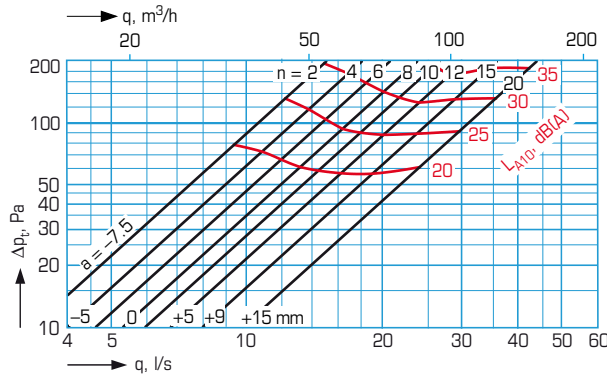
VEF-08



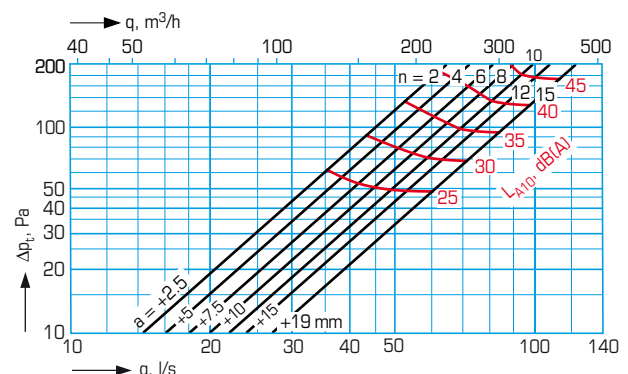
VEF-16



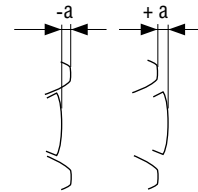
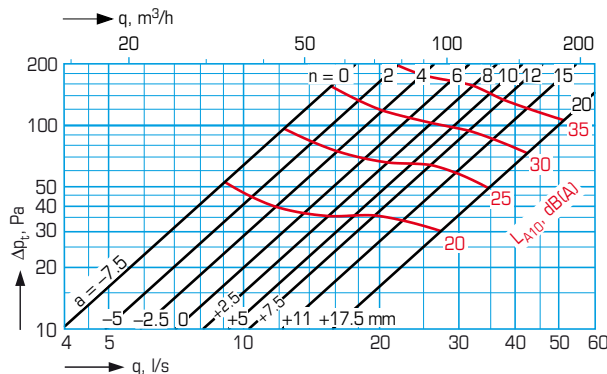
VEF-10



VEF-20



VEF-12



$n$  = number of revolutions open       $a$  = slot orifice in mm

## Sound power level

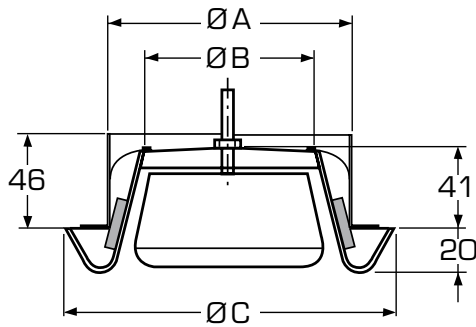
Size	Correction of sound level in dB at							
	63	125	250	500	1000	2000	4000	8000 Hz
08	-8	-7	-5	-4	-1	-2	-5	-12
10	-7	-6	-6	-4	-2	-1	-4	-11
12	-6	-5	-3	-4	-2	-1	-4	-13
15	1	2	1	-1	1	-4	-9	-18
16	1	2	1	-1	1	-4	-9	-18
20	1	2	4	0	-1	-4	-10	-18

## Sound attenuation

Size	Correction of sound level in dB at							
	63	125	250	500	1000	2000	4000	8000 Hz
08	23	23	16	15	13	10	6	9
10	22	21	15	13	11	10	6	9
12	21	19	13	11	10	10	7	9
15	20	16	12	10	9	10	8	8
16	20	16	12	10	9	10	8	8
20	17	12	7	5	4	4	7	5

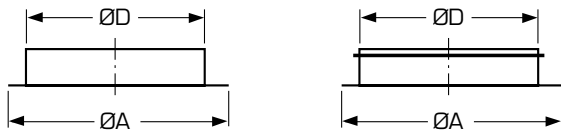
# Dimensions and weights, adjustment

## Dimensions and weights



Size	A	B	C	Weight, kg
08	80	45	120	0,09
10	100	70	145	0,12
12	125	95	160	0,16
15	150	116	190	0,22
16	160	125	200	0,26
20	200	170	243	0,34

## Mounting ring VLZ-01, VLZ-02

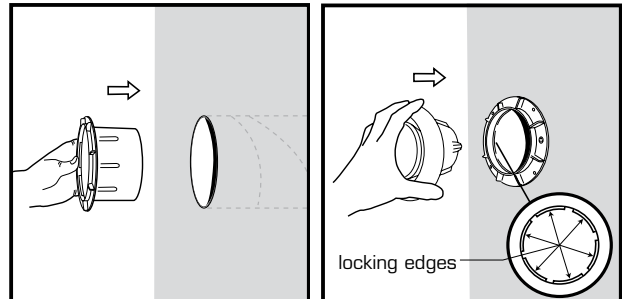


Size	A	D	Weight, kg	Hole size
08	107	80	0,07	Ø90
10	127	100	0,09	Ø110
12	152	125	0,11	Ø135
15	177	150	0,13	Ø160
16	187	160	0,15	Ø170
20	227	200	0,18	Ø210

## Adjustment

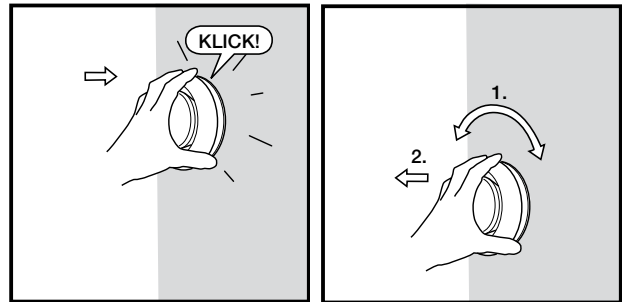
The cone is screwed out or in by the number of revolution necessary to provide the orifice opening in mm corresponding to the pressure drop and the desired air flow according to the graph. The pressure drop is checked by introducing a suitable measurement probe into the front behind the valve cone.

## VEF-S



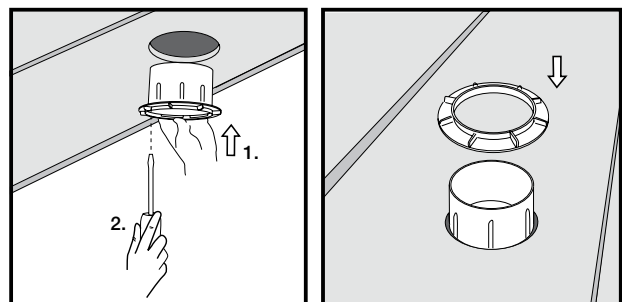
Installation of mounting ring in a wall.

Installation of valve in mounting ring. Ensure that one of the "valve wings" points towards the centre of a locking edge.



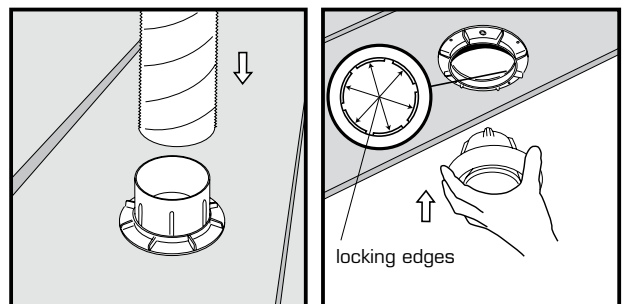
Press the valve until it clicks into position.

Removal of the valve. Rotate in either direction until the valve disengages from the mounting ring. Pull straight out.



Installation of mounting ring in false ceiling. Fixed with screws.

Installation of clamping ring for false ceiling panel.



Installation of flexible hose on mounting ring.

Installation of valve in mounting ring. Ensure that one of the "valve wings" points towards the centre of a locking edge.

## Application, material, product code

### Application

VEF exhaust air valve are circular disc valves with a valve cone of aerodynamic design. This valve possesses excellent characteristics with regard to noise level, pressure drop and air flow capacity. The design of the sound absorbent reduces the risk of cross-talk noise. The device, which is designed for wall-mounting or, alternatively, for ceiling-mounting, is available in five sizes to suit duct connections with a diameter between 80 mm and 200 mm. The design of the valve in conjunction with a Mol-topren packing prevents dirtying of the ceiling and walls.

### Material

The valve is made of polypropylene plastic which is recycleable and withstands temperatures up to 100 °C. The materials used in the device are also resistant to most chemicals in small concentrations.

The device is supplied in white as standard. Certain special colours are available if ordered in large quantities. Galvanized steel sheet mounting rings, with and without rubber seals, are available as an accessory.

### Maintenance

The device can be wiped down with a mild detergent.

### Descriptive text

VEF exhaust valve manufactured by FläktGroup, with or without a mounting ring.

### Product code

**Exhaust valve** **VEF-aa**

Size \_\_\_\_\_  
08, 10, 12, 15, 16, 20

**Mounting ring (without rubber seal)** **VLZ-01-aa**

**Mounting ring (with rubber seal)** **VLZ-02-aa**

Size \_\_\_\_\_  
08, 10, 12, 15, 16, 20

<sup>1)</sup> Only VLZ-01-aa.

**Adjustment kit** **VLZ-07-aa**

Measurement probe and adjustment data for each size

### Descriptive text

Exhaust air valve VEF-S manufactured by FläktGroup with integrated valve branch and clamping ring

### Product code

**Exhaust air valve** **VEF-aa-S**  
incl. integrated mounting ring and clamping ring

Size \_\_\_\_\_  
10, 12, 15, 16, 20